



The SCC Annual Scientific Meeting & Showcase is the industry’s premier education event drawing more than 850 attendees from all facets of the cosmetics and personal care industry. Attendees include formulators, chemists, consultants, suppliers, academia, students, regulatory, testing and toxicology professionals, regulatory and claims professionals, and more.

**More than 50% of our attendees are THE DECISION MAKERS AND INFLUENCERS that your company wants to reach.** Our intimate showcase setting allows you to make **QUALITY CONNECTIONS** with **QUALITY LEADS**.

SCC provides unparalleled education at an exceptional value featuring more than 40 renowned industry leaders and subject matter experts covering the hottest topics, newest technologies, and innovations in cosmetics and personal care via keynote lectures and scientific sessions.

SCC80 features a 2-day Showcase with 100+ exhibitors, including technical posters and tabletops, showcasing their latest products, services, ingredients, tools, research, and technologies for cosmetics and personal care formulation.

Companies of all sizes – from indie beauty brands to large multinationals – will gather in Los Angeles this December to gain the inspiration, innovation, and education they can only get at the SCC Annual Meeting.

With plenty of networking opportunities throughout the event, **SCC80 offers an intimate education and connection experience like no other** for professionals in the industry.

**Show your support for the industry and get access to the decision makers with buying power!** Packages are available at varying price points to help your company meet its sales and marketing goals.

## SPONSORSHIPS & ADVERTISING

Titanium Sponsorships (\$20,000+)	2
Platinum Sponsorships (\$15,000-\$19,999)	3
Gold Sponsorships (\$10,000-\$14,999)	4
Silver Sponsorships (\$5,000-\$9,999)	5
Bronze Sponsorships (\$3,000-\$4,999) & Other Opportunities	6
Recognition Award Sponsorships (\$3,500) & Program Book Advertising (\$100-\$2,950)	7

## SHOWCASE EXHIBIT SPACE

Poster, Tabletop & Combo Options; Lead Retrieval	8
Floor Plan	9
Contacts/More Information	10



## TITANIUM LEVEL SPONSORSHIPS (\$20,000+)

**OWN THE SPOTLIGHT: Maximum visibility. Premium influence. Category leadership.**

Put your brand at the center of everything. Titanium Sponsors command premium visibility across every major touchpoint—from inbox to onsite—while unlocking exclusive opportunities to engage, influence, and lead. If your goal is to stand out, be remembered, and drive high-value connections, this is where you win big.

### All Titanium Level Sponsors Receive the Following Benefits:

- Complimentary Showcase exhibit space (1 combination poster/table **-OR-** 2 posters)
- Five (5) complimentary Full Access Registrations
- Two (2) complimentary Lead Retrieval licenses
- 25% off additional Showcase exhibits purchased
- One (1) full page ad in the Program Book
- Two (2) sponsored emails to SCC subscriber list (9,000+)
- Private sponsor hospitality room for two (2) days & SCC promotion of public events (F&B provided by sponsor)
- Conference bag marketing insert – one (1) marketing flyer of your choice, or a single-piece branded item (provided by sponsor)
- One (1) SCC Industry Provider Directory Listing (SCC website) with 8 keywords through Dec 2027
- Three (3) SCC e-newsletter banner ads – one per issue for Sep, Oct, Nov 2026
- Two (2) sponsored social media ads (on SCC's LinkedIn & Instagram)
- Two (2) sponsored Blog Posts
- Recognition during the on-site event
- Sponsor recognition on event website

### **\$25,000 PRESIDENT'S LUNCHEON (TUE)** (Exclusive)

#### **Receive all Titanium Sponsor benefits listed above, plus:**

- Acknowledgement as Exclusive Luncheon sponsor
- Welcome Address onstage from company representative - onsite
- 45-second video/commercial to run prior to luncheon start, provided by company - onsite
- Company-branded napkins at luncheon – onsite
- Seat Drop - One (1) Item at each table seat (sponsor to provide item)

### **\$25,000 AWARDS BREAKFAST (WED)** (Exclusive)

#### **Receive all Titanium Sponsor benefits listed above, plus:**

- Acknowledgement as Exclusive Awards Breakfast sponsor
- Welcome Address on stage from company representative
- 45-second video commercial to run prior to breakfast start, provided by company
- Company-branded napkins for breakfast
- Seat Drop - One (1) Item at each table seat (sponsor to provide item)

### **\$22,500 EVENT TECH SPONSOR** (Exclusive)

#### **Receive all Titanium Sponsor benefits listed above, plus:**

- Acknowledgement as Exclusive Event Tech sponsor – *includes bundled sponsorship of WiFi & session recordings*
- WiFi: Customized WiFi password that directs traffic to your desired URL throughout event; company logo with WiFi info printed in program book; company logo on all pre-session slides with WiFi info
- Session Recordings: Company-branded email to attendees announcing content recording availability in the SCC Media Library
- SMS Push Notification to Attendees

### **\$20,000 GENERAL TITANIUM SPONSOR** (2 available)

#### **Receive all Titanium Sponsor benefits listed above, plus:**

- One (1) sponsor-branded Networking Lounge & Charging Station
- Signage at Networking Lounge



# PLATINUM LEVEL SPONSORSHIPS (\$15,000-\$19,999)

**STAND ABOVE THE CROWD: High-impact visibility with meaningful audience engagement.**

Elevate your presence with strong brand exposure and meaningful attendee interaction. Platinum sponsorship delivers a strategic mix of promotion and onsite activation—perfect for companies ready to expand reach, build relationships, and make a lasting impression.

**All Platinum Level Sponsors Receive the Following Benefits:**

- Complimentary Showcase exhibit space (1 combination poster/table **-OR-** 2 posters)
- Four (4) complimentary Full Access Registrations
- One (1) complimentary Lead Retrieval license
- 15% off additional Showcase exhibits purchased
- One (1) full page ad in the Program Book
- Two (2) sponsored emails to SCC subscriber list (9,000+)
- Private sponsor hospitality room for one (1) day & SCC promotion of public events (F&B provided by sponsor)
- Conference bag marketing insert – one (1) marketing flyer of your choice, or a single-piece branded item (provided by sponsor)
- One (1) SCC Industry Provider Directory Listing (SCC website) with 8 keywords through Dec 2027
- Two (2) SCC e-newsletter banner ads – one per issue for Sep & Oct 2026
- One (1) sponsored social media ad (on SCC’s LinkedIn & Instagram)
- Recognition during the on-site event
- Sponsor recognition on event website

**\$17,500 COCKTAIL RECEPTION SPONSOR** (Exclusive)

**Receive all Platinum Sponsor benefits listed above, plus:**

- Acknowledgement as Exclusive Reception Sponsor
- Signage throughout Event Space
- Company-branded Cocktail Napkins
- Company-branded Signature Cocktail

**\$15,500 REGISTRATION SPONSOR** (Exclusive)

**Receive all Platinum Sponsor benefits listed above, plus:**

- Acknowledgement as Exclusive Registration Sponsor
- Company logo on name tags & lanyards
- Custom Banner for event email confirmations
- Branded registration with meeting logo & your company's logo

**\$15,500 PROFESSIONAL HEADSHOT STATION & COCKTAIL RECEPTION PHOTO BOOTH** (Exclusive)

**Receive all Platinum Sponsor benefits listed above, plus:**

- Acknowledgement as Exclusive Headshot & Photo Booth Sponsor
- Company-branded signage at cocktail reception with exhibit information
- Exclusive access to all headshot station participants for their headshots

**\$15,000 GENERAL PLATINUM SPONSOR** (4 available)

**Receive all Platinum Sponsor benefits listed above, plus:**

- Two (2) sponsored/promoted Blog Posts – one pre-show, one post-show





## GOLD LEVEL SPONSORSHIPS (\$10,000-\$14,999)

**BE SEEN & REMEMBERED: Targeted exposure that drives recognition and connection.**

Elevate your presence with strong brand exposure and meaningful attendee interaction. Gold sponsorship delivers a strategic mix of promotion and onsite activation—perfect for companies ready to expand reach, build relationships, and make a lasting impression.

### All Gold Level Sponsors Receive the Following Benefits:

- Complimentary Showcase exhibit space - choice of poster **OR** table
- Two (2) complimentary Full Access Registrations
- One (1) complimentary Lead Retrieval License
- One (1) half page ad in the Program Book
- One (1) sponsored emails to SCC subscriber list (9,000+)
- Conference bag marketing insert – one (1) marketing flyer of your choice, or a single-piece branded item (provided by sponsor)
- One (1) SCC Industry Provider Directory Listing (online) with 4 keywords through Dec 2027
- One (1) Sponsored Social Media Ad (Twitter, LinkedIn & Instagram)
- Recognition during the on-site event
- Sponsor recognition on event website

### \$12,500 CONFERENCE BAGS (Exclusive)

#### Receive all Gold Sponsor benefits listed above, plus:

- Acknowledgement as Exclusive Conference Bag Sponsor
- SCC80/sponsor co-branded conference bag provided to each attendee

*\*\*\*must be committed and paid in full by 8/1/26 \*\*\**

### \$12,500 WED LUNCHEON KEYNOTE (Exclusive)

#### Receive all Gold Sponsor benefits listed above, plus:

- Acknowledgement as Exclusive Wed Lunch Keynote Sponsor
- Welcome Address onstage from company representative & introduce keynote
- 45-second video commercial to run prior to event start, provided by company

### \$12,000 WiFi (Exclusive)

*can be purchased bundled as Event Tech for exclusive sponsorship at Titanium Level*

#### Receive all Gold Sponsor benefits listed above, plus:

- Acknowledgement as Exclusive WiFi Sponsor
- Customized WiFi password that directs traffic to your desired URL throughout event
- Company logo with WiFi info printed in program book
- Company logo on all pre-session slides with WiFi info

### \$10,000 COCKTAIL RECEPTION SPONSOR (2 available)

#### Receive all Gold Sponsor benefits listed above, plus:

- Acknowledgement as Reception Sponsor
- Signage throughout Event Space
- Company-branded Cocktail Napkins

### \$10,000 FRONTIERS OF SCIENCE KEYNOTE (Exclusive)

#### Receive all Gold Sponsor benefits listed above, plus:

- Acknowledgement as Exclusive FoS Keynote Sponsor
- Welcome Address onstage from company representative & introduce keynote
- 45-second video commercial to run prior to event start, provided by company

### \$10,000 FLORENCE WALL WOMEN IN COSMETIC CHEMISTRY AWARD (Exclusive)

#### Receive all Gold Sponsor benefits listed above, plus:

- Acknowledgement as Exclusive Award Sponsor
- Company Representative designated for presentation of Award onstage to winner
- Award customized with engraved company logo acknowledgement

*\*\*\*must be committed and paid in full by 8/1/26 \*\*\**

### \$10,000 SCC EDUCATION AWARD (Exclusive)

#### Receive all Gold Sponsor benefits listed above, plus:

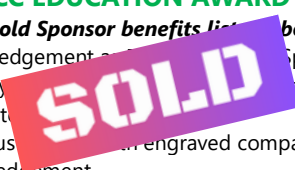
- Acknowledgement as Exclusive Education Award Sponsor
- Company Representative designated for presentation of Award onstage to winner
- Award customized with engraved company logo acknowledgement

*\*\*\*must be committed and paid in full by 8/1/26 \*\*\**

### \$10,000 GENERAL GOLD SPONSOR (unlimited)

#### Receive all Gold Sponsor benefits listed above, plus:

- One (1) sponsored/promoted Blog Post – pre-show





# SILVER LEVEL SPONSORSHIPS (\$5,000-\$9,999)

**STAY VISIBLE: Cost-effective visibility with strong brand reinforcement.**

Silver Sponsorship offers an efficient way to showcase your brand to a highly targeted audience. Through program book presence, onsite recognition, and attendee-facing materials, your company gains consistent visibility throughout the event experience—ideal for maintaining market presence and supporting broader marketing efforts.

**All Silver Level Sponsors Receive the Following Benefits:**

- One (1) Complimentary Full Access Registration
- One (1) Half Page Ad in the Program Book
- Conference bag marketing insert – one (1) marketing flyer of your choice, or a single-piece branded item (provided by sponsor)
- One (1) SCC Industry Provider Directory Listing (online) with 4 keywords through Dec 2027
- Recognition during the on-site event
- Sponsor recognition on event website

**\$9,750 CONTINENTAL BREAKFAST** (Exclusive)

**Receive all Silver Sponsor benefits listed above, plus:**

- Acknowledgement as Exclusive Continental Breakfast Sponsor
- Company-branded coffee cups & napkins at breakfast  
\*\*\*must be committed and paid in full by 8/1/26 \*\*\*

**\$8,000 SESSION RECORDINGS** (Exclusive)

can be purchased bundled as Event Tech for exclusive sponsorship at Titanium Level

**Receive all Silver Sponsor benefits listed above, plus:**

- Acknowledgement as Exclusive Content Sponsor
- Company-branded email to attendees announcing content recording availability in the SCC Media Library

**\$7,950 PHOTO BOOTH** (Exclusive)

can be purchased bundled with headshot station for exclusive sponsorship at Platinum Level

**Receive all Silver Sponsor benefits listed above, plus:**

- Acknowledgement as Exclusive Photo Booth Sponsor
- Signage at Photo Booth
- Company-branded digital prints at cocktail reception with exhibitors

**\$7,950 HEADSHOT STATION** (Exclusive)

can be purchased bundled with photo booth for exclusive sponsorship at Platinum Level

**Receive all Silver Sponsor benefits listed above, plus:**

- Acknowledgement as Exclusive Headshot Sponsor
- Signage at Headshot station
- Exclusive company-branded email to all headshot station participants delivering their headshots post-meeting

**\$7,500 NETWORKING LOUNGE** (Exclusive per lounge; 2 available)

**Receive all Silver Sponsor benefits listed above, plus:**

- Acknowledgement as Exclusive Lounge Sponsor
- Signage at Lounge
- Charging station

**\$7,000 LANYARDS** (Exclusive)

can be purchased bundled with Registration Sponsorship for exclusive sponsorship at Platinum Level

**Receive all Silver Sponsor benefits listed above, plus:**

- Acknowledgement as Exclusive Lanyard Sponsor
- SCC-branded lanyard distributed to each attendee for use throughout the event

**\$5,500 BEVERAGE BREAK** (Exclusive per break; 3 available)  
**2 of 3 SOLD**

**Receive all Silver Sponsor benefits listed above, plus:**

- Acknowledgement as Beverage Break Sponsor
- Company-branded coffee cups at each coffee station  
\*\*\*must be committed and paid in full by 8/1/26 \*\*\*

**\$5,000 GENERAL SILVER SPONSOR** (unlimited)

**Receive all Silver Sponsor benefits listed above.**



## BRONZE LEVEL SPONSORSHIPS (\$3,000-\$4,999)

**GET NOTICED: Foundational exposure to stay visible and relevant.**

Bronze Sponsors benefit from essential brand placement opportunities that keep your organization visible to attendees. This level provides a solid entry point for companies looking to participate in the event, reinforce credibility, and maintain awareness among key industry audiences.

### All Bronze Level Sponsors Receive the Following Benefits:

- One (1) Complimentary Full Access Registration
- One (1) SCC Industry Provider Directory Listing (online) with 4 keywords through Dec 2027
- Conference bag marketing insert – one (1) marketing flyer of your choice, or a single-piece branded item (provided by sponsor)
- Recognition during the on-site event
- Sponsor recognition on event website

### **\$4,750 PROGRAM BOOK SPONSOR** (Exclusive)

**Receive all Bronze Sponsor benefits listed above, plus:**

- Outside back cover ad – full page, four color ad

### **\$4,000 GENERAL BRONZE SPONSOR** (unlimited)

**Receive all Bronze Sponsor benefits listed above, plus:**

- One (1) Quarter Page Ad in the Program Book

### **\$4,500 SCIENTIFIC SESSION SPONSOR** (Exclusive per session; 8 available) **1 of 8 SOLD**

**Receive all Bronze Sponsor benefits listed above, plus:**

- Acknowledgement as Exclusive Session Sponsor
- Session introduction by company representative
- One (1) Quarter Page Ad in the Program Book

## OTHER OPPORTUNITIES

**Flexible enhancements to amplify your impact.**

Customize your presence with targeted add-ons that extend your reach—whether through direct attendee messaging, onsite materials, or brand recognition opportunities. These options allow you to strategically boost visibility and engagement in ways that align with your specific marketing goals and budget.

### **\$2,950 MARKETING DISTRIBUTION** (8 available)

- Conference bag marketing insert – one (1) marketing flyer of your choice, or a single-piece branded item (provided by company)

### **\$1,500 STUDENT TRAVEL GRANTS** (10 available)

- Recognition in print and digital media related to the annual meeting, program book, and onsite during event.

*\*\*\*must be committed/paid in full by 8/1/26\*\*\**

### **\$975 SMS PUSH NOTIFICATION** (6 available)

- One (1) SMS push notification to attendees during event (Nov 30-Dec 1)

### **\$100-2,500 SCC ANNUAL MEETING GENERAL CONTRIBUTIONS** (unlimited)

- Recognition in Program Book and onsite during event as an SCC Annual Meeting Supporter
  - \$100 – Supporter
  - \$500 – Champion
  - \$1,000 – Ambassador
  - \$2,500 – VIP



## RECOGNITION AWARD SPONSORSHIPS (\$3,500)

**ALIGN WITH THOUGHT LEADERSHIP: Connect your brand with industry excellence and achievement.**

Showcase your commitment to innovation and leadership by supporting prestigious industry awards. This sponsorship connects your brand with top talent and breakthrough achievements while offering meaningful onstage visibility and lasting recognition tied to excellence in the field. **\*\*\*all award sponsors must be committed and paid in full by 8/1/26\*\*\***

### All Award Sponsors Receive the Following Benefits:

- Company logo on the certificate presented to Award winner
- Sponsor presents the Award on stage during the event
- One (1) SCC Industry Provider Directory Listing (online) with 4 keywords through Dec 2027
- Conference bag marketing insert – one (1) marketing flyer of your choice, or a single-piece branded item (provided by sponsor)
- Recognition in the Program Book as Award Sponsor
- Logo on the specific SCC Award website page
- Recognition during the on-site event
- Sponsor recognition on event website

### **\$3,500 DES GODDARD AWARD** (Exclusive)

**Receive all Award Sponsor benefits listed above.**

The Des Goddard Award is presented to the author(s) of the **Most Innovative Paper or Student Technical Poster on the topic of Polymer Science** related to Cosmetics or Personal Care presented at the preceding Annual Meeting or published in the Journal of Cosmetic Science.

### **\$3,500 HANS SCHAEFFER AWARD** (Exclusive)

**Receive all Award Sponsor benefits listed above.**

The Hans Schaeffer Award is presented to the **Most Innovative Paper** presented at the preceding Annual Meeting.

### **\$3,500 SHAW MUDGE AWARD** (Exclusive)

**Receive all Award Sponsor benefits listed above.**

The Shaw Mudge Award is presented to the author(s) of the **Best Paper** presented at the preceding Annual Scientific Meeting of the Society of Cosmetic Chemists.

### **\$3,500 YOUNG SCIENTIST AWARD** (Exclusive)

**Receive all Award Sponsor benefits listed above.**

The Young Scientist Award is presented to the **Best Paper presented by individuals 30 years or younger** at the preceding Annual Meeting.



## PROGRAM BOOK ADVERTISING (\$575-2,950)

**IN EVERY ATTENDEE BAG: Showcase your company with a full-color ad in the official attendee go-to for event information, awards, speakers, and schedules.**

**\*\*\*PROGRAM BOOK advertising commitment deadline is 9/1/26; in order to meet printing schedules, ads due no later than 9/15/26\*\*\***

- FULL PAGE
  - Outside Back Cover – \$2,950 (1 available)
  - **Inside Front Cover – \$2,750 (1 available) SOLD**
  - Inside Back Cover – \$2,750 (1 available)
  - Placement at discretion – \$1,950 (3 available)
- HALF PAGE
  - Placement at discretion – \$990 (3 available)
- QUARTER PAGE
  - Placement at discretion – \$575 (8 available)

# SHOWCASE EXHIBIT SPACE

The floor plan is available on the following page.



## EXHIBIT TYPES & PRICES

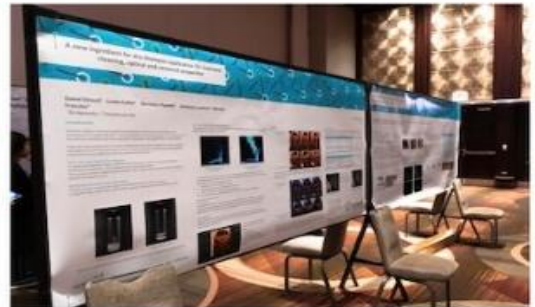
Each purchased exhibit type includes two (2) Full Access registrations per exhibit. Exhibit may be purchased stand-alone or bundled with lead retrieval. **Save 20% with Early Bird pricing when you pay in full before 8/1/2026.**

### LEAD RETRIEVAL

Maximize your ROI from meaningful connections. Help your sales team to convert more leads by giving them a tool that allows them to capture an attendee’s contact information in seconds and make additional notes. These leads can then be followed up with fruitful conversations and be retargeted by your marketing team. With our digital lead retrieval services, you can view and download your collected lead information through a password-protected online portal. **Fee is per single license.** Lead Retrieval can now be ordered at the time you book your exhibit space (\$400 Early Bird; \$500 Standard).

**POSTER ONLY:** Includes a poster board, push pins, and one chair – specs: 8’w x 4’h display board, push pins to hang poster and one chair; max display/print size of horizontal poster is 3’10”h x 7’10”w; plus, two (2) Full Access registrations.

		Early Bird Price until 7/31/26	Standard Price beginning 8/1/26
<b>SCC Members</b>	<i>exhibit only</i>	\$2,500	\$3,050
	<i>exhibit &amp; lead retrieval</i>	\$2,900	\$3,550
<b>SCC Non-Members</b>	<i>exhibit only</i>	\$3,125	\$3,815
	<i>exhibit &amp; lead retrieval</i>	\$3,525	\$4,315



**TABLETOP ONLY:** Includes a draped table and two chairs – specs: 6’w x 30”d table (no pipe and drape); plus, two (2) Full Access registrations.

		Early Bird Price until 7/31/26	Standard Price beginning 8/1/26
<b>SCC Members</b>	<i>exhibit only</i>	\$3,500	\$4,140
	<i>exhibit &amp; lead retrieval</i>	\$3,900	\$4,640
<b>SCC Non-Members</b>	<i>exhibit only</i>	\$4,375	\$5,175
	<i>exhibit &amp; lead retrieval</i>	\$4,775	\$5,675



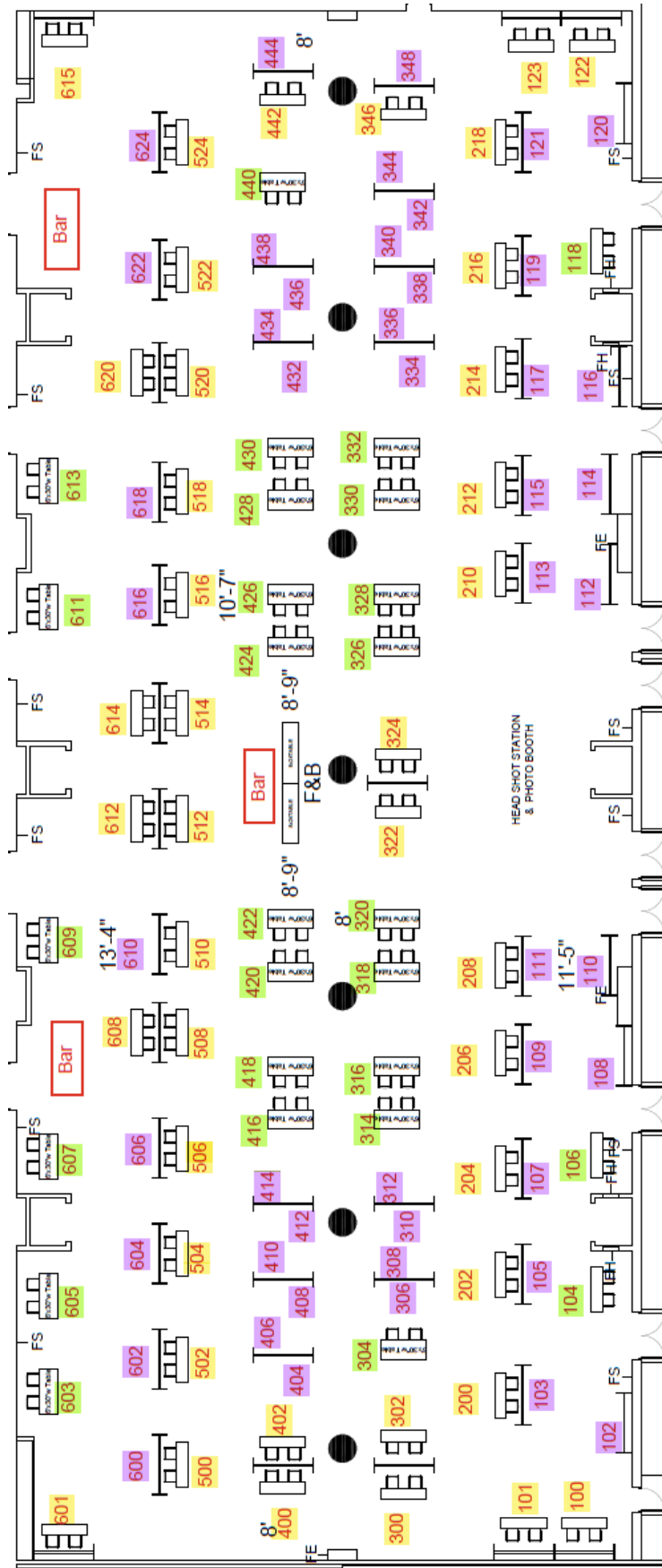
**COMBO POSTER & TABLETOP:** Includes a poster board, tabletop, and two chairs – specs: 8’w x 4’h display board, push pins to hang poster, 6’w x 18”d table and two chairs; max display/print size of horizontal poster is 3’10”h x 7’10”w; plus, two (2) Full Access registrations.

		Early Bird Price until 7/31/26	Standard Price beginning 8/1/26
<b>SCC Members</b>	<i>exhibit only</i>	\$4,600	\$5,675
	<i>exhibit &amp; lead retrieval</i>	\$5,000	\$6,175
<b>SCC Non-Members</b>	<i>exhibit only</i>	\$5,750	\$7,095
	<i>exhibit &amp; lead retrieval</i>	\$6,150	\$7,595



**CONTACT JENNIFER LEWIS TO RESERVE YOUR EXHIBIT SPACE NOW.**

# SCC80 - JW MARRIOTT LA LIVE; DECEMBER 1-2, 2026



TABLETOP

POSTER

COMBO



## CONTACTS / MORE INFORMATION

### **SPONSORSHIPS & ADVERTISING**

Erica O'Grady

[eogrady@scconline.org](mailto:eogrady@scconline.org)

Jennifer Lewis

[jlewis@scconline.org](mailto:jlewis@scconline.org)

### **EXHIBIT SALES / BOOTH SELECTION**

Jennifer Lewis

[jlewis@scconline.org](mailto:jlewis@scconline.org)

### **MARKETING & FULLFILLMENT**

Peyton Kolovani

[pkolovani@scconline.org](mailto:pkolovani@scconline.org)

### **GENERAL QUESTIONS**

[info@scconline.org](mailto:info@scconline.org)